

SC-101 positioning machine



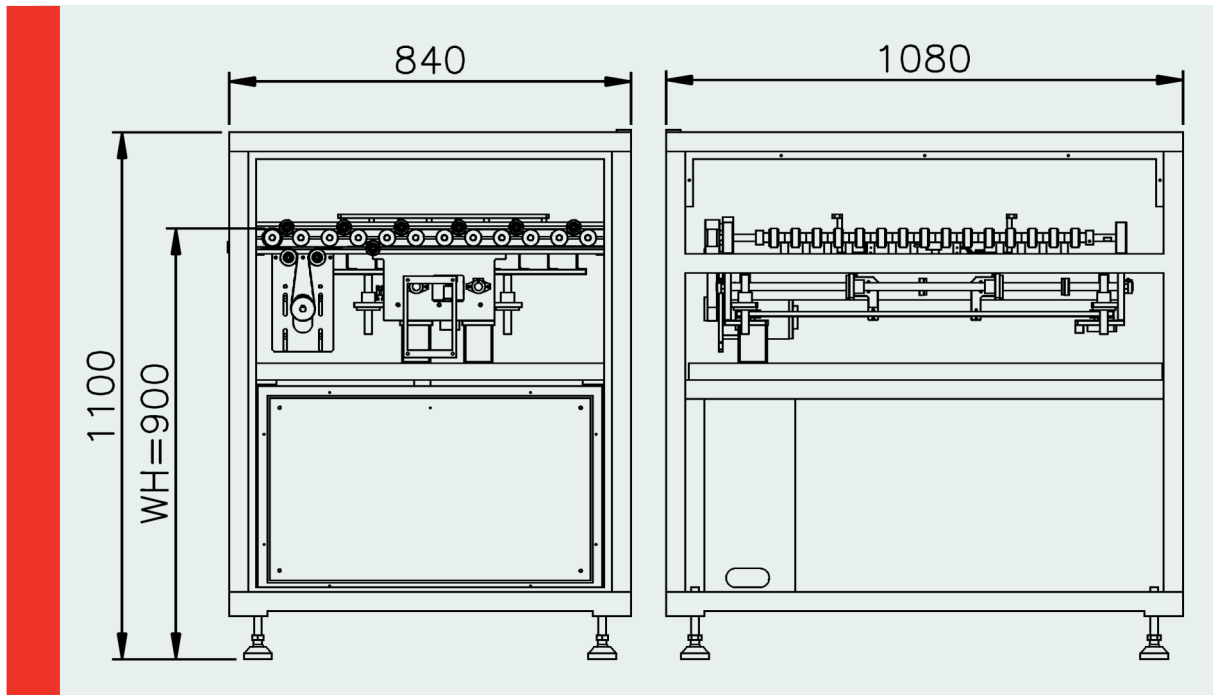
PCB
Automation
Developed
by Symtek

SUITABLE FOR

Changing the alignment of
rigid panels between
processes.

DESCRIPTION

- 1 The machine can shift panels, aligning them to the left or right side, or to the center of the conveyor.
- 2 When shifting, the panel is raised to avoid scratches.
- 3 Two shifting speeds for the alignment fingers to avoid panel warping.
- 4 With an optional touch panel, the shifting sequence can be preset.



TYPE	
DIMENSIONS (LxWXH)	840x1080x1100 mm
WORKING HEIGHT	900 mm ± 50 mm
MAX. PANEL SIZE	610 x 610 mm
MIN.PANEL SIZE	250 x 250 mm
PANEL THICKNESS	0.3 ~ 3.2 mm
THROUGHPUT	8 pcs/min
POWER	1Ph 220V 60Hz 0.3KW Other power configurations available on demand.
AIR	0.6 MPa 5 NL/min